

## GC19 Deep Dish Slam-Bolt Paddle Latch (Blind Mounting)

### Features

- Fixing from within, which gives a neat appearance, more resistant to corrosion and physical interference. 'Blind-mounting' is available with all operating models.
- Deep dish (30 mm) with internal finger-shield and beaded edge on flap for easy operation
- Stainless locking bolt slides on carrier, giving protection against flap being forced
- Low-profile lock with double-sided key cylinder as standard
- Slam-bolt or hooked latch operation
- Plain rim with internal welded studs for concealed fixing ('blind-mounting'). Gasket supplied.

### Material

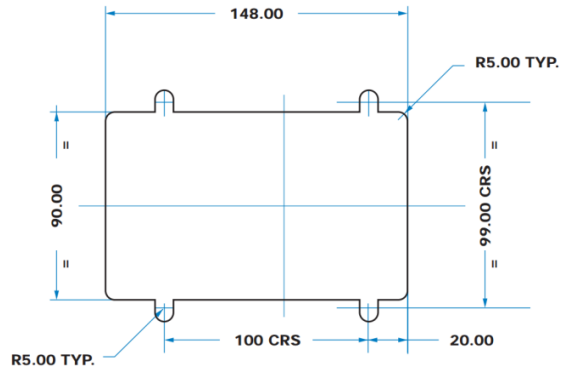
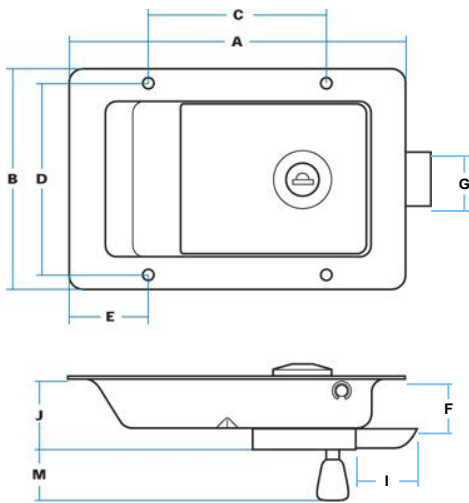
- Stainless steel models: Stainless steel 304, polished
- Steel models: Mild steel, clear zinc plated (or black powder coated on request)

### Notes

- A knob for inside release can be fitted to all slam-bolt models. This operates even when paddle has been locked from outside. Add suffix "-IR" to part number



**GC19-G02010B-IR**  
(Slam-bolt, black, with studs and gasket, also shows optional inside release knob)



Blind-mounting models have four studs (M6x15mm) welded on inside rim.

Part No.	Type	Material	Locking	Key	A	B	C	D	E	F	G	I	J	M
GC19-G02030	Slam-Bolt	Stainless Steel	Yes	Standard	170	110	100	99	40	30	19	28	44	35
GC19-G02030-01			-	FT111										
GC19-G02031		No	-											
GC19-G02010		Mild Steel	Yes	Standard										
GC19-G02010-01	-		FT111											
GC19-G02011	No	-												
GC19-G02024	Hook-Latch	Stainless Steel	Yes	Standard										
GC19-G02024-01			-	FT111										
GC19-G02025		No	-											
GC19-G02004		Mild Steel	Yes	Standard										
GC19-G02004-01			-	FT111										
GC19-G02005	No	-												

Add suffix 'B' for black finish